

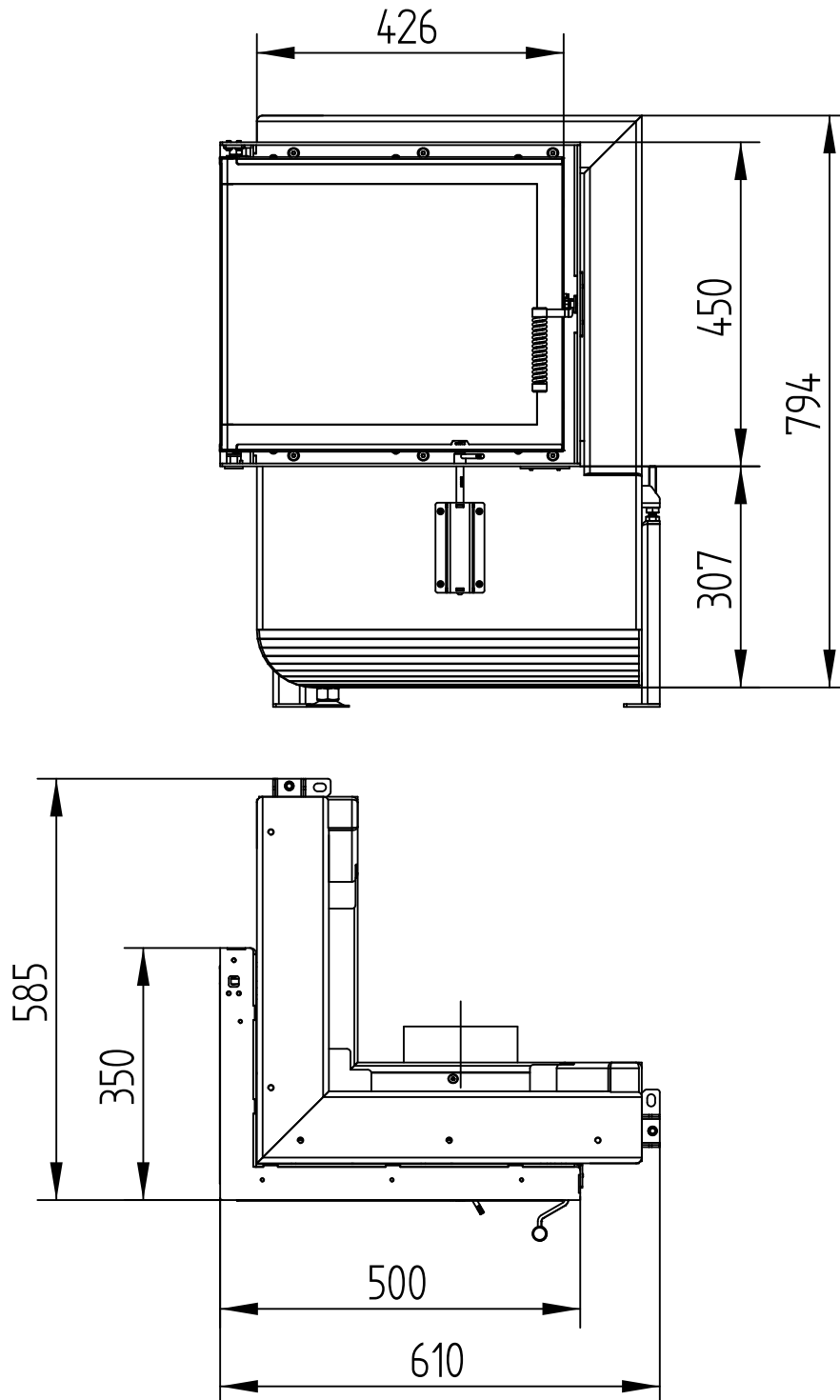
# GT2 50/35/45L, 50/35/45R

Technical data  
Version 07/2015

## GENERAL TECHNICAL INFORMATION

Recommended wood load	12 kg
Maximum cross-section of the supply air connection	220 cm <sup>2</sup>
Combustion air connection	2 × Ø 125 mm
Free glass area	1148 cm <sup>2</sup>

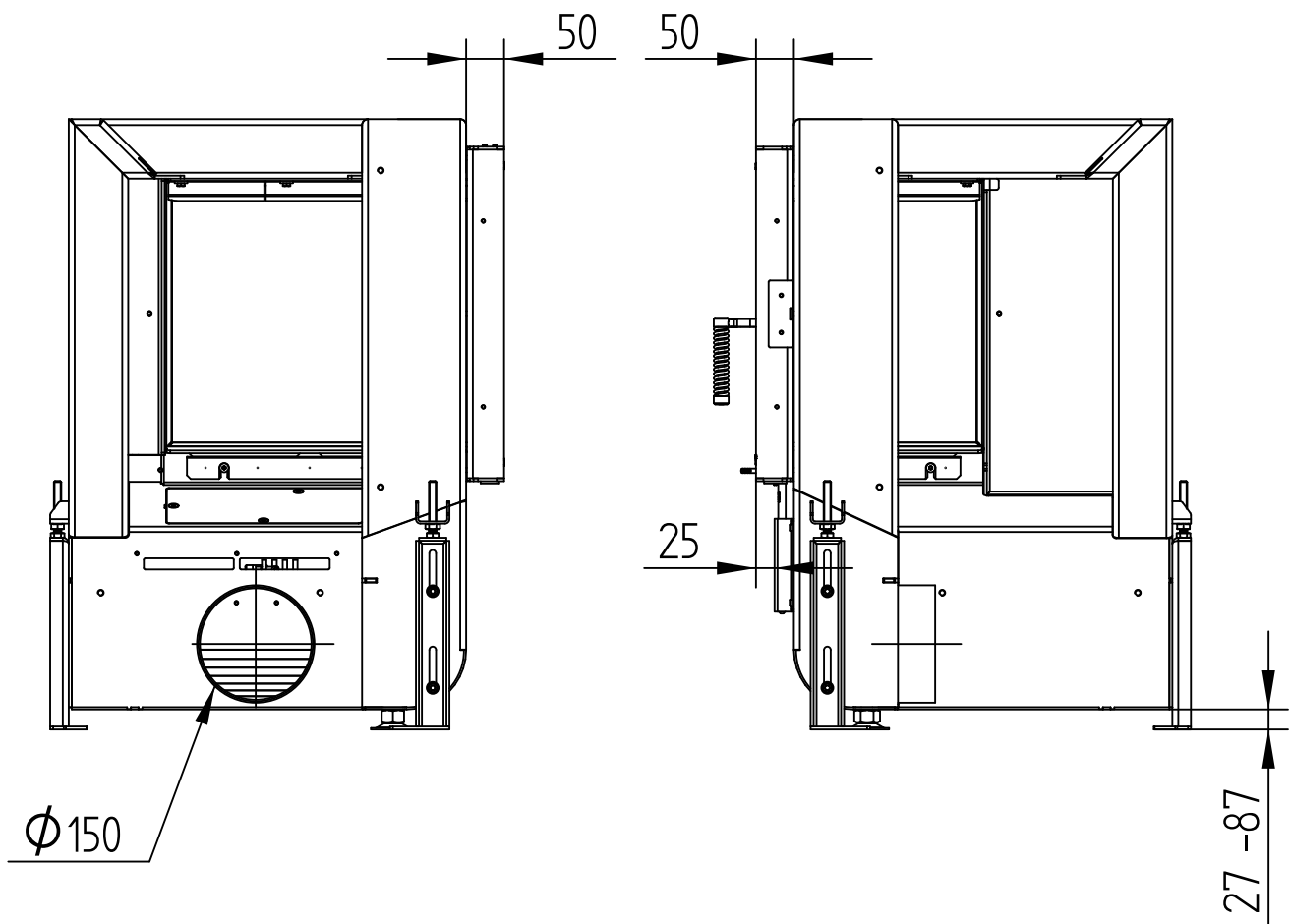
M 1 : 10



# GT2 50/35/45L

Technical data  
Version 07/2015

M 1 : 10

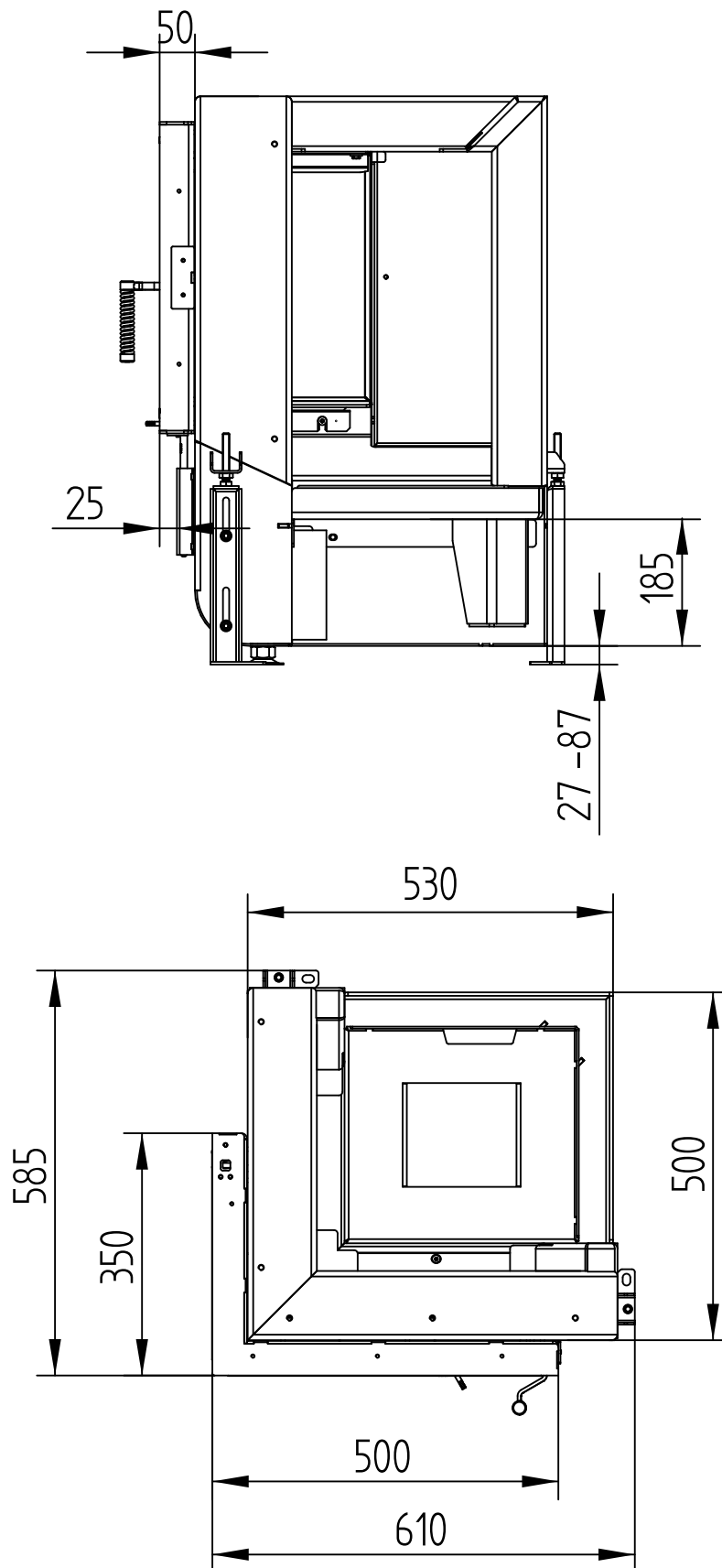


# GT2 50/35/45L

Technical data  
Version 07/2015

WITH BASE

M 1 : 10



# GT 50/35/45L

Technical data  
Version 07/2015

BUILD-ON FRAME 6-SIDED, 80 mm

M 1 : 10

