

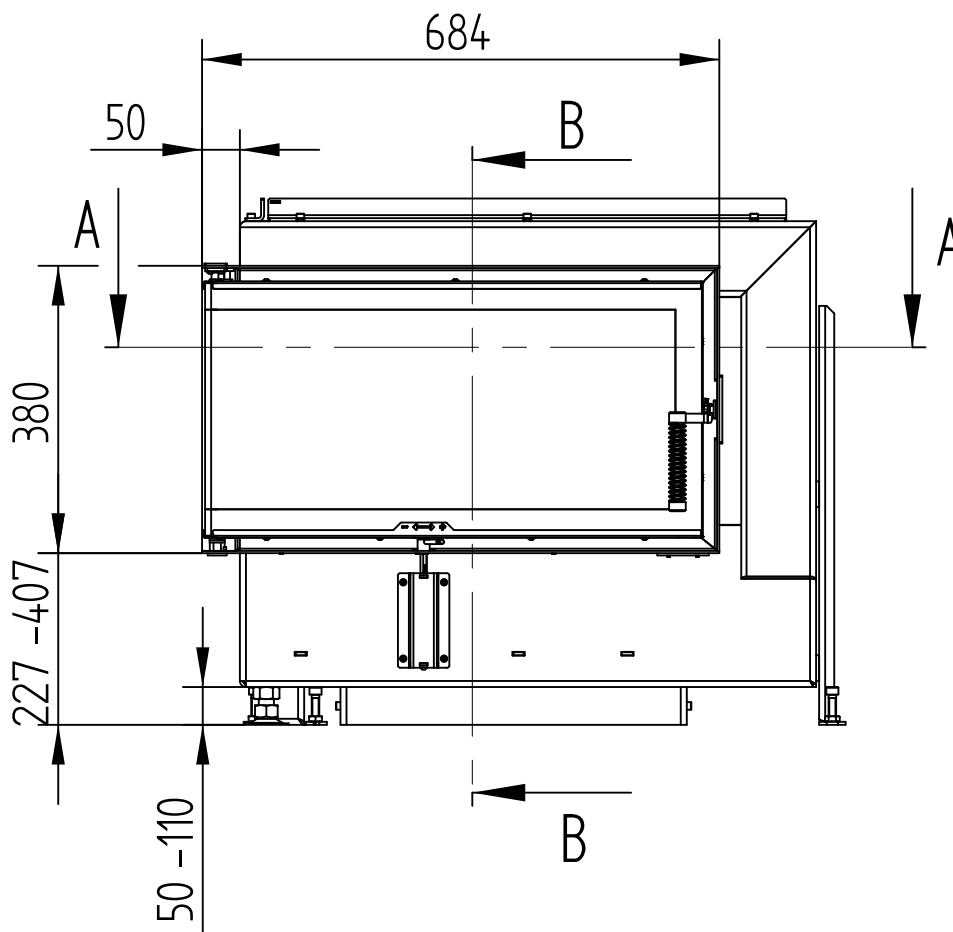
GT 70/40/38L, 70/40/38R

Technical data
Version 07/2015

GENERAL TECHNICAL INFORMATION	
Recommended wood load	15 kg
Maximum cross-section of the supply air connection	240 cm ²
Optional combustion air adapter	2 × Ø 125 mm, 1 × Ø 180 mm
Pressure drop	see table
Free glass area	2619 cm ²

LOAD OF WOOD	AIR FLOW		PRESSURE DROP
5 kg	47,0 m ³ /h	0,013 m ³ /s	1,4 Pa
6 kg	56,3 m ³ /h	0,016 m ³ /s	2,2 Pa
7 kg	65,7 m ³ /h	0,018 m ³ /s	3 Pa
8 kg	75,1 m ³ /h	0,021 m ³ /s	4 Pa
9 kg	84,5 m ³ /h	0,023 m ³ /s	5,2 Pa
10 kg	93,9 m ³ /h	0,026 m ³ /s	6,4 Pa
11 kg	103,3 m ³ /h	0,029 m ³ /s	7,7 Pa
12 kg	112,7 m ³ /h	0,031 m ³ /s	9,2 Pa
15 kg	140,9 m ³ /h	0,039 m ³ /s	14,2 Pa

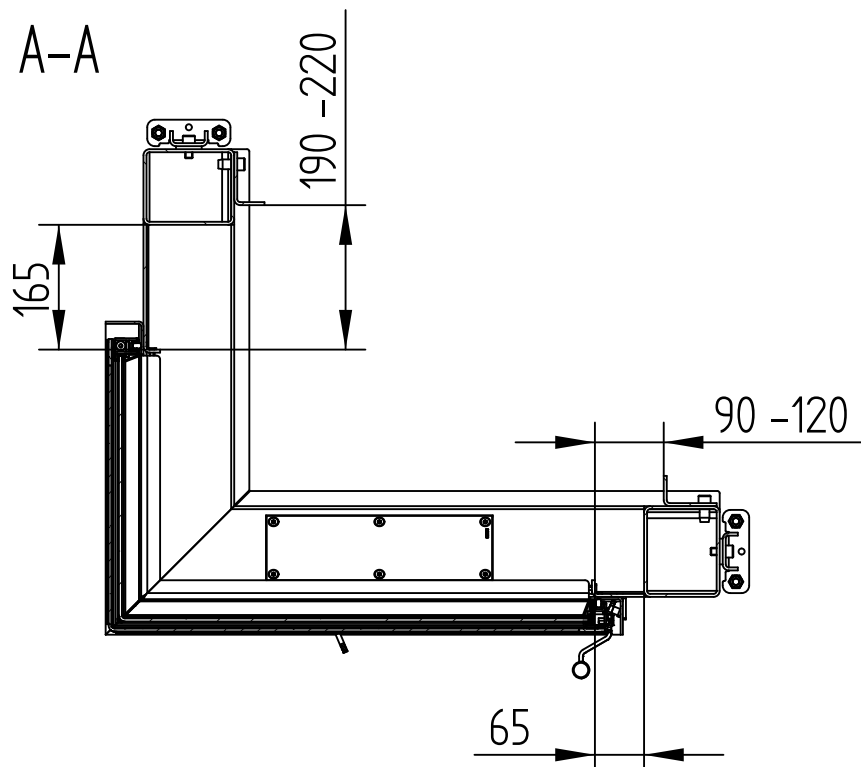
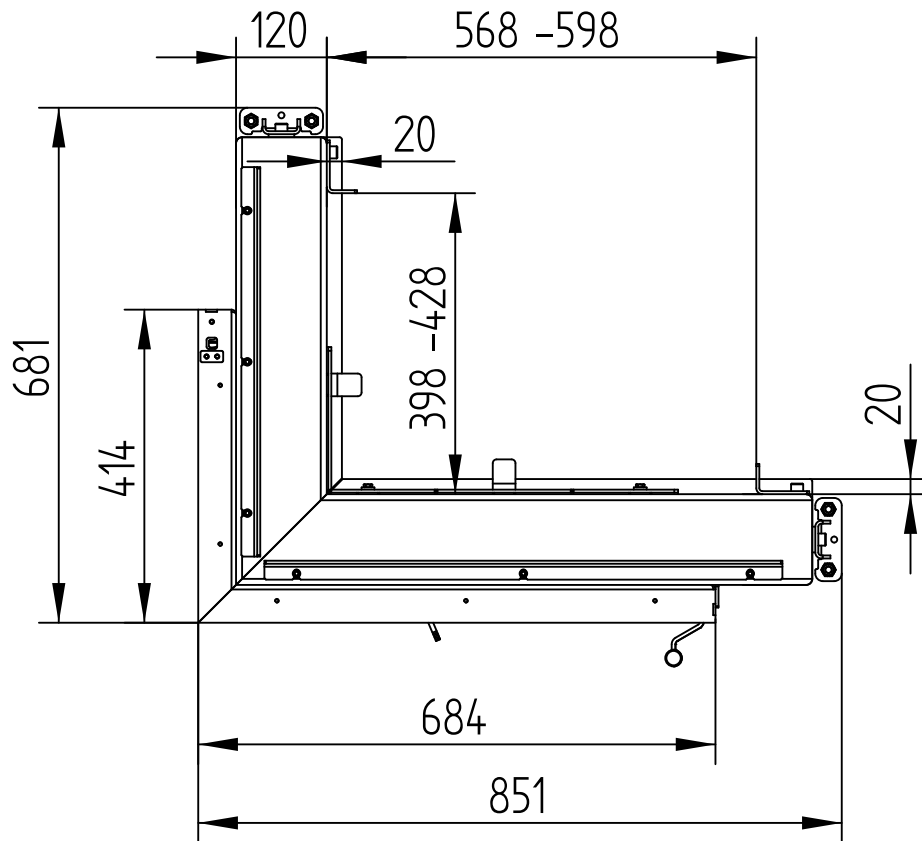
M 1 : 10



GT 70/40/38L

Technical data
Version 07/2015

M 1 : 10

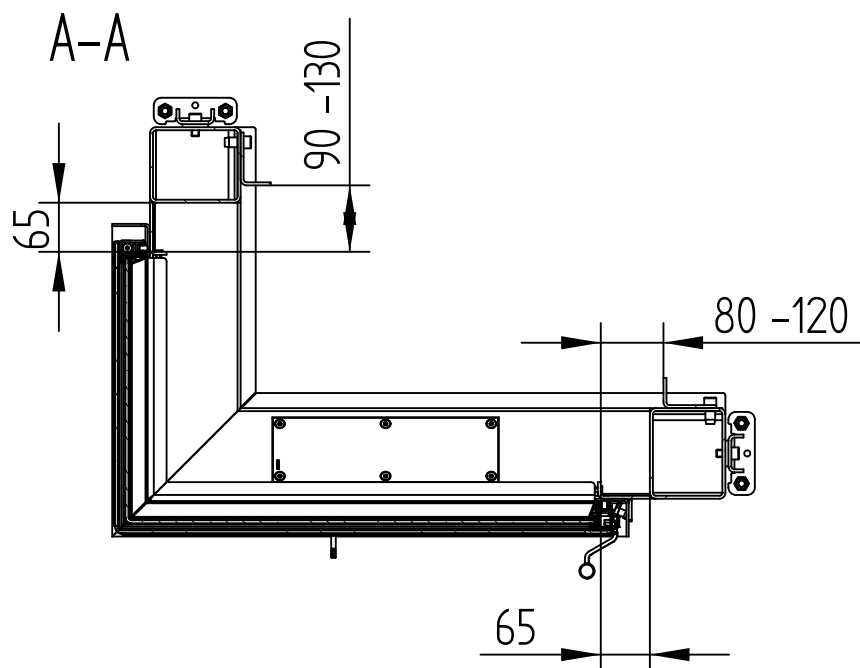
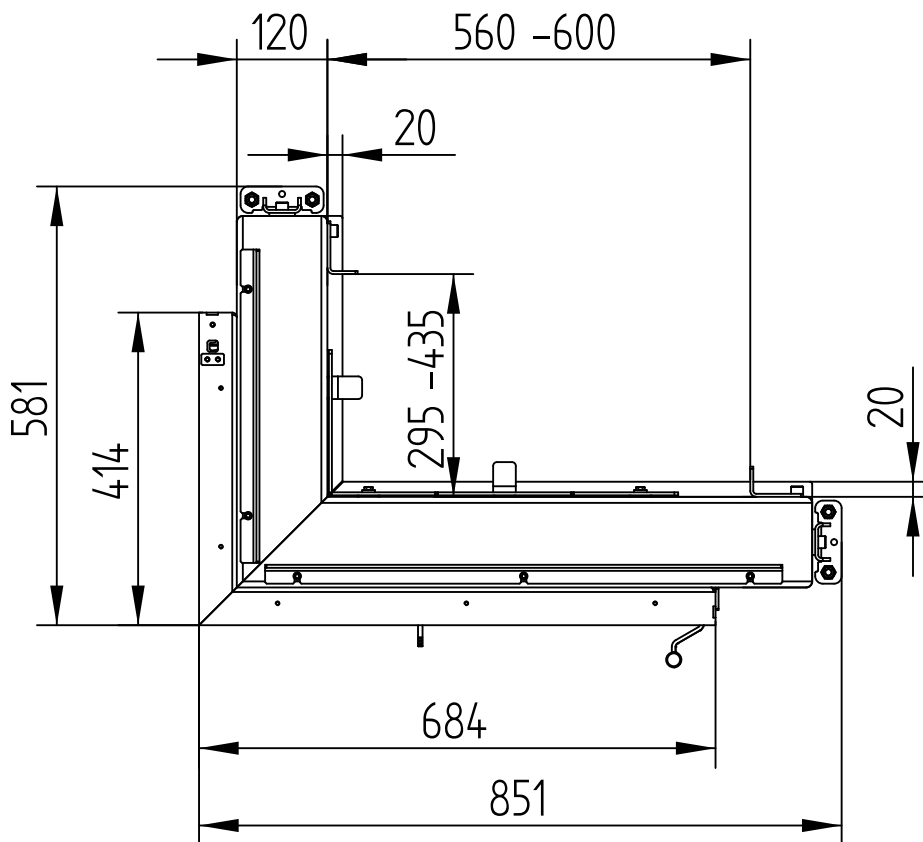


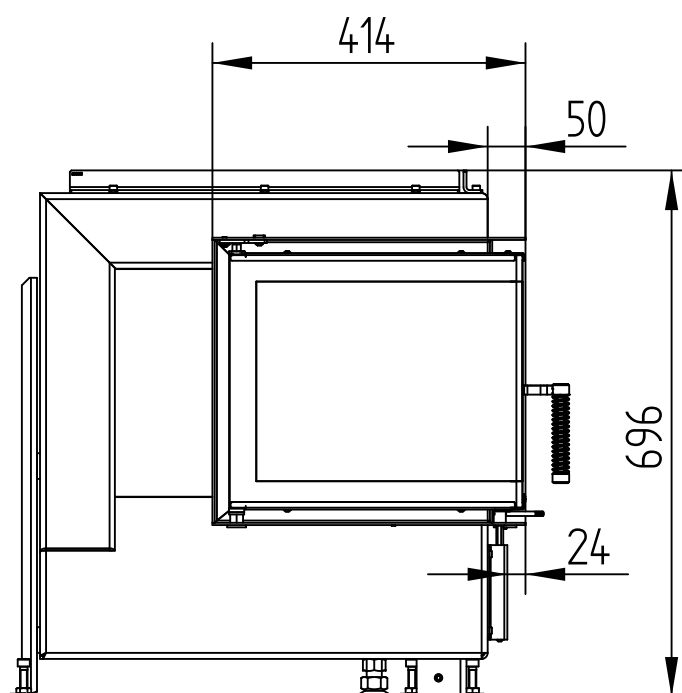
GT 70/40/38Lks

Technical data
Version 07/2015

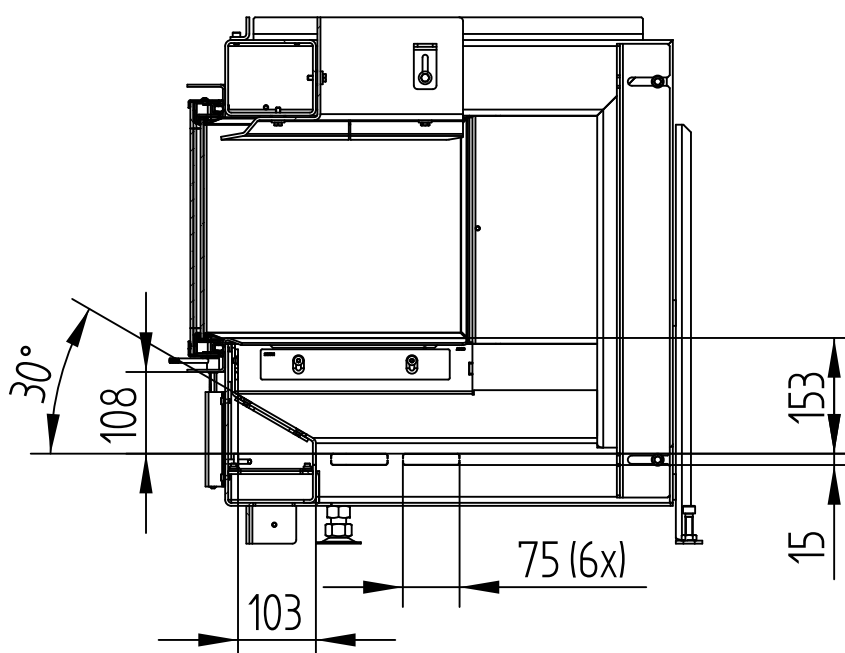
SHORTENED VERSION

M 1 : 10





B-B

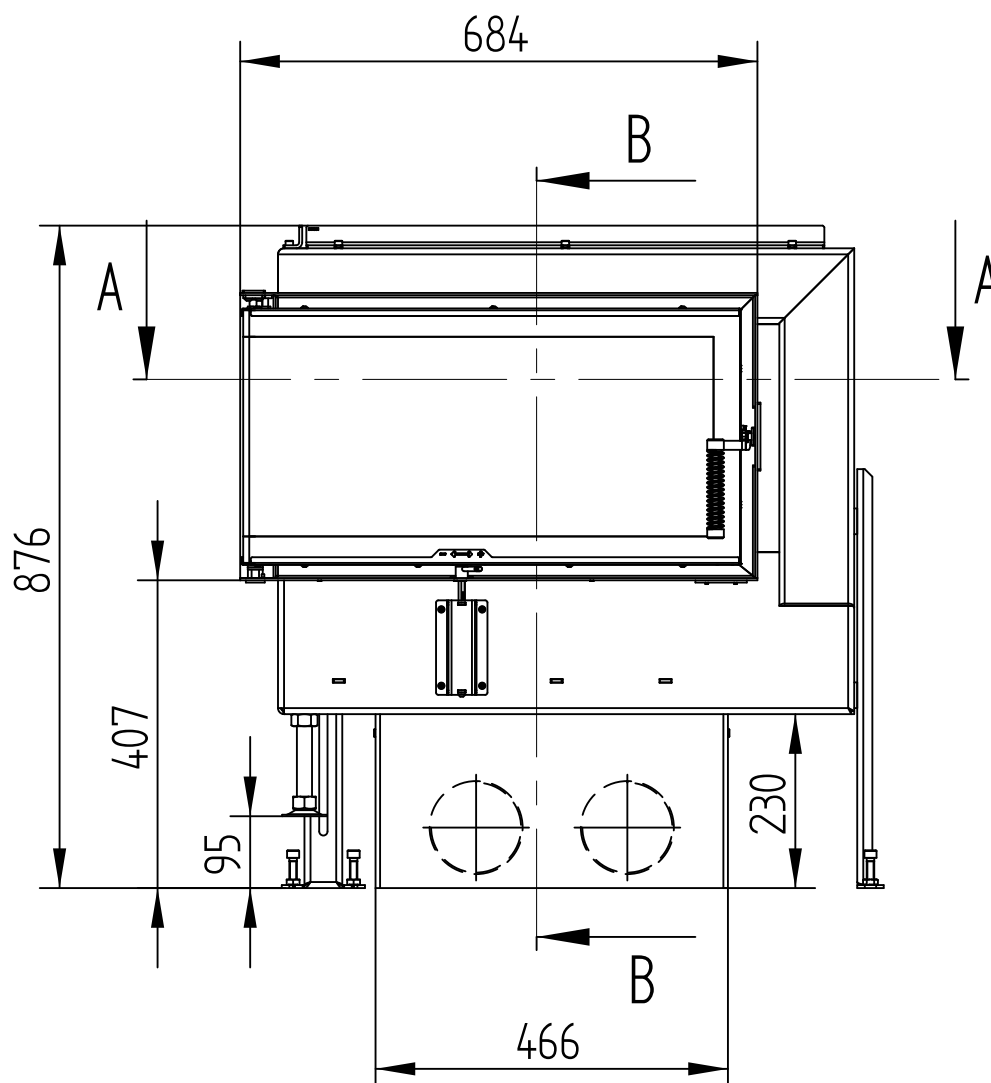


GT 70/40/38L

Technical data
Version 07/2015

COMBUSTION AIR CONNECTION 2 x Ø 125 mm

M 1 : 10

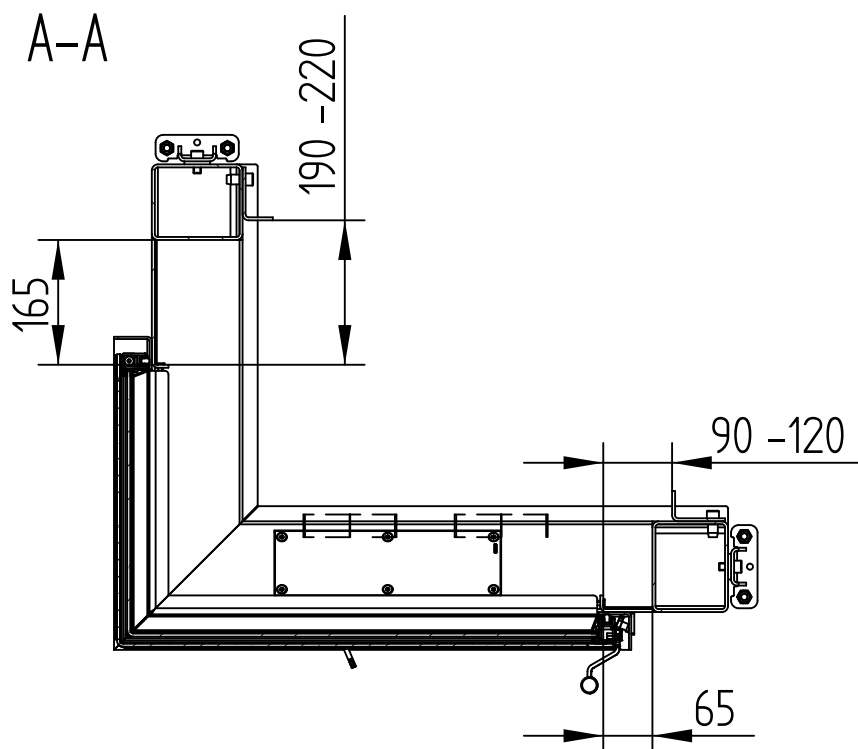
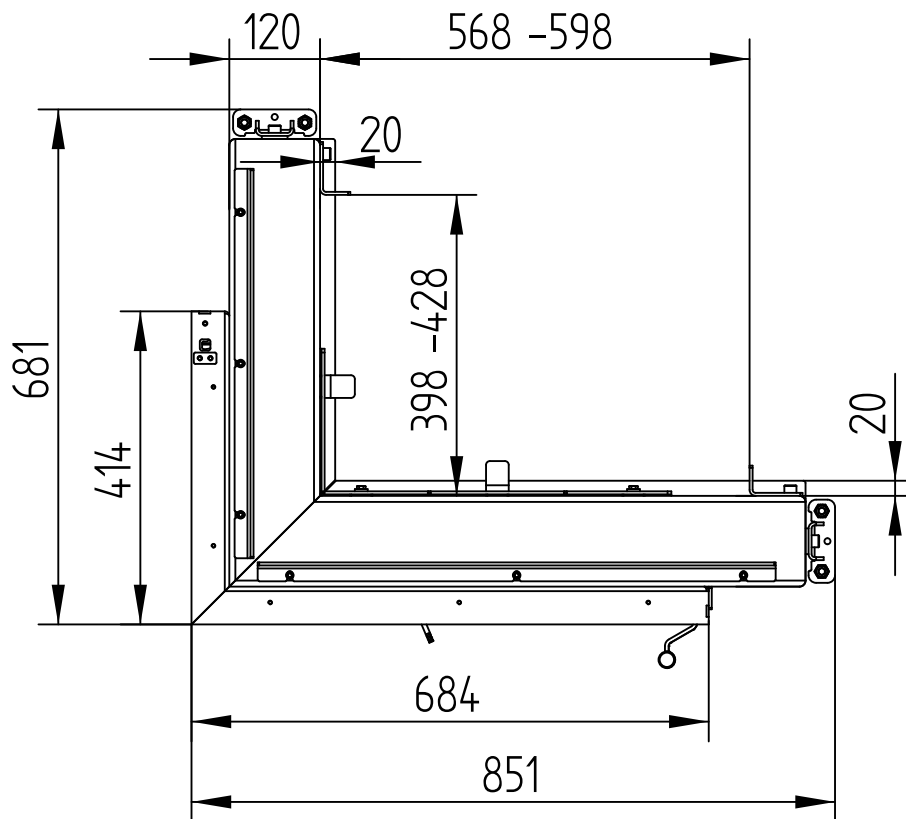


GT 70/40/38L

Technical data
Version 07/2015

COMBUSTION AIR CONNECTION 2 x Ø 125 mm

M 1 : 10

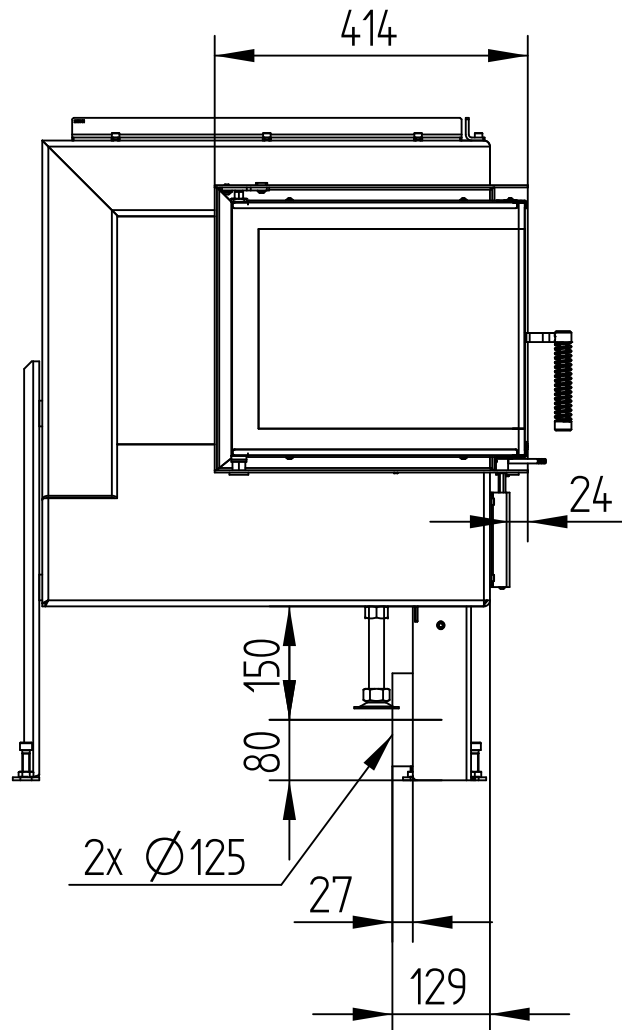


GT 70/40/38L

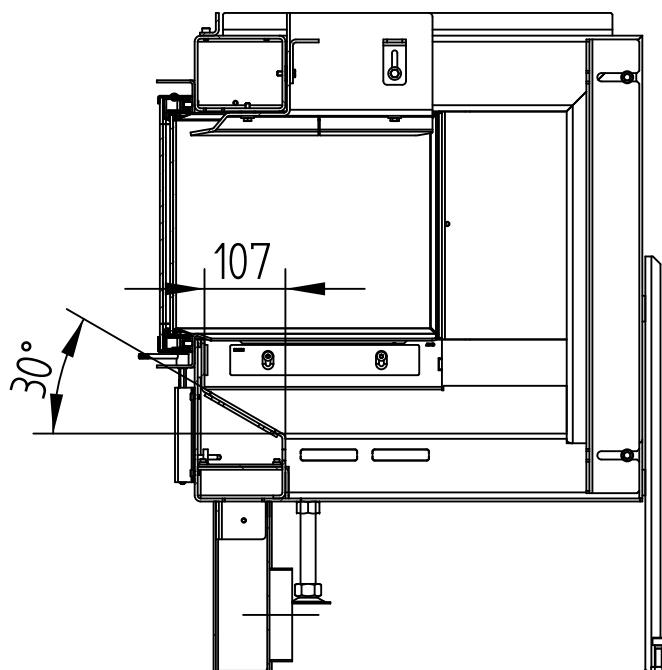
Technical data
Version 07/2015

COMBUSTION AIR CONNECTION 2 x Ø 125 mm

M 1 : 10



B-B

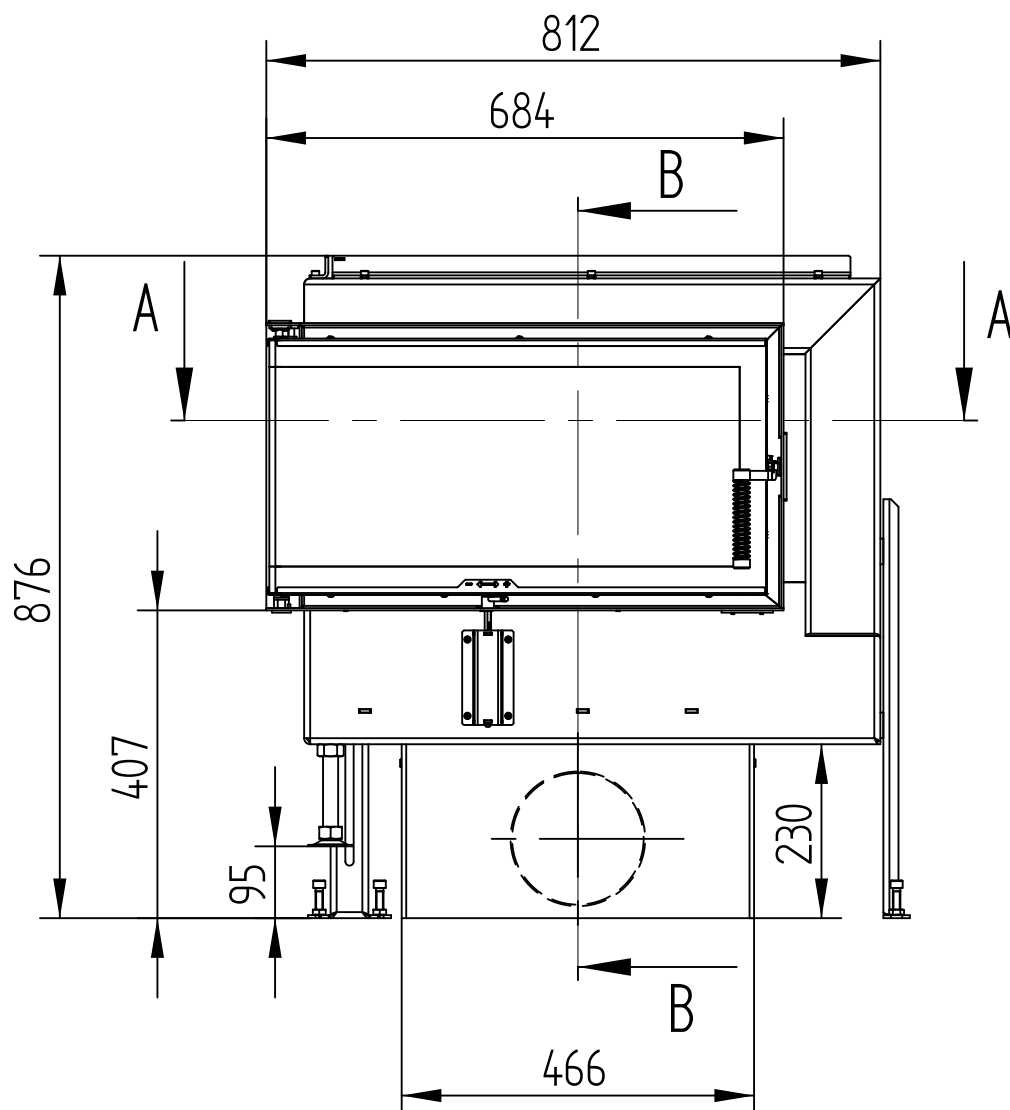


GT 70/40/38L

Technical data
Version 07/2015

COMBUSTION AIR CONNECTION 1 x \varnothing 180 mm

M 1 : 10

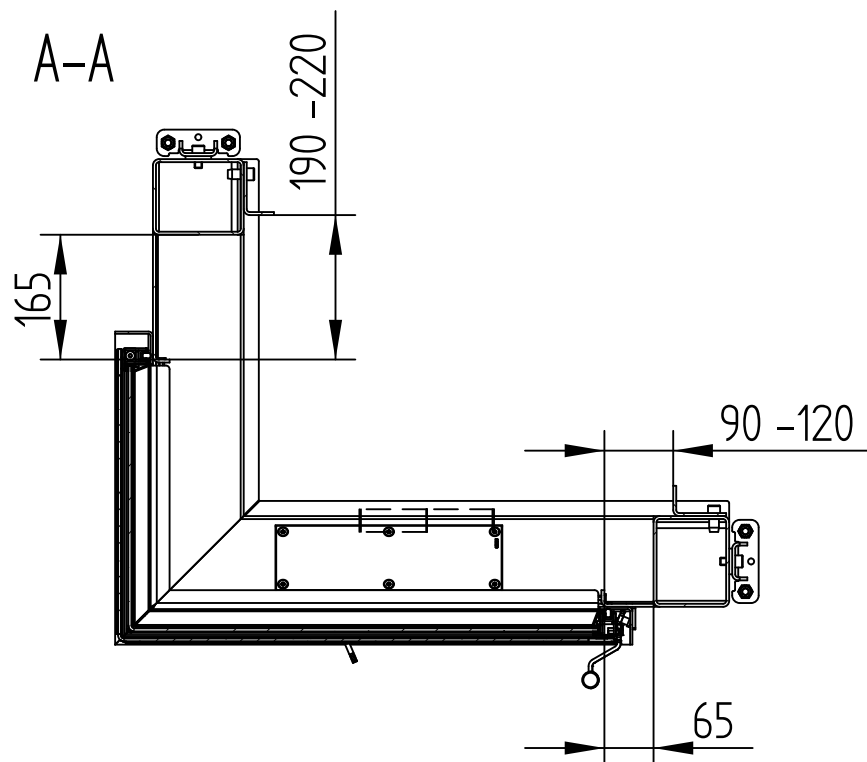
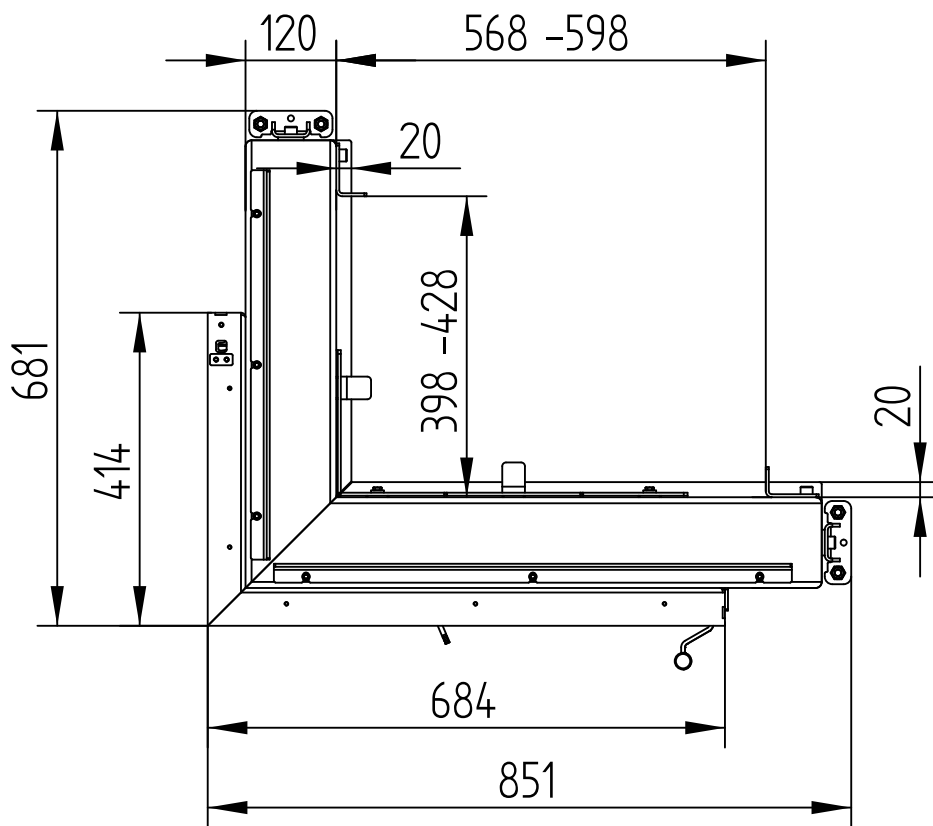


GT 70/40/38L

Technical data
Version 07/2015

COMBUSTION AIR CONNECTION 1 x Ø 180 mm

M 1 : 10

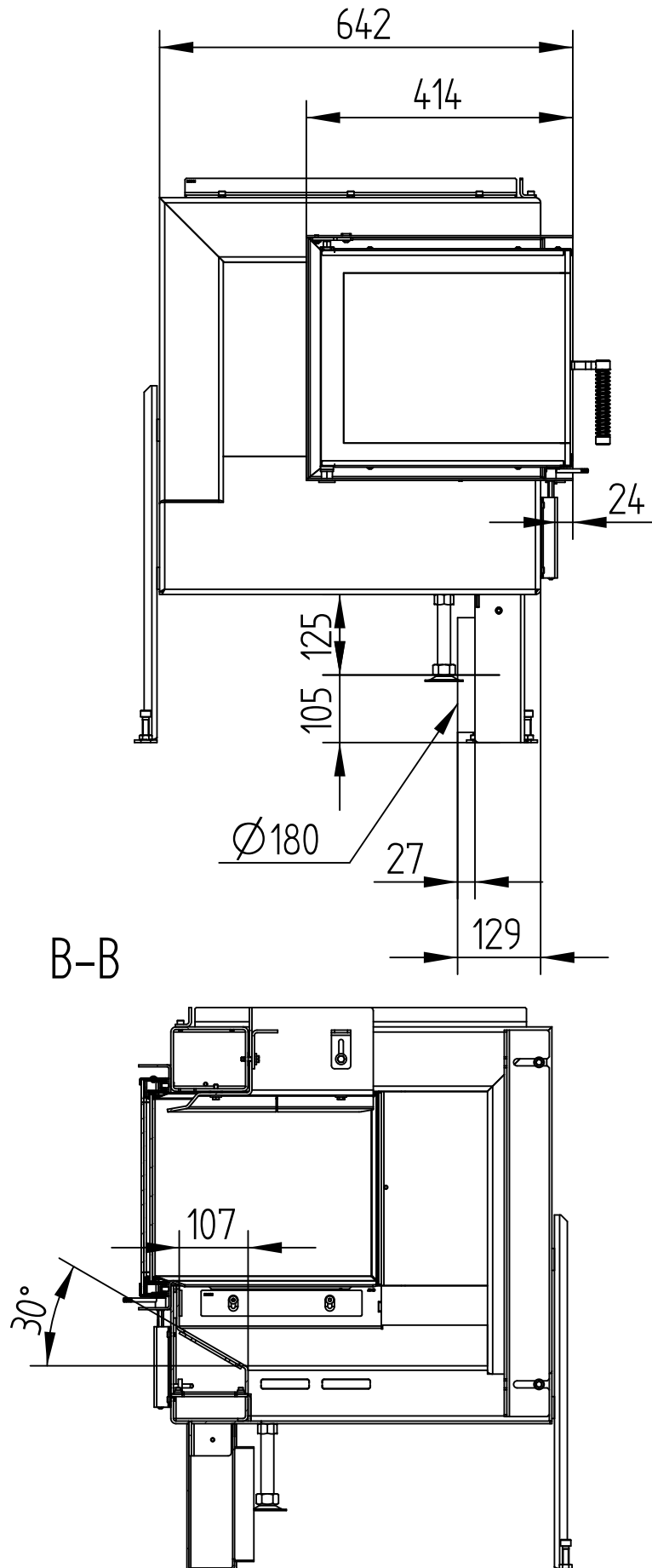


GT 70/40/38L

Technical data
Version 07/2015

COMBUSTION AIR CONNECTION 1 x Ø 180 mm

M 1 : 10

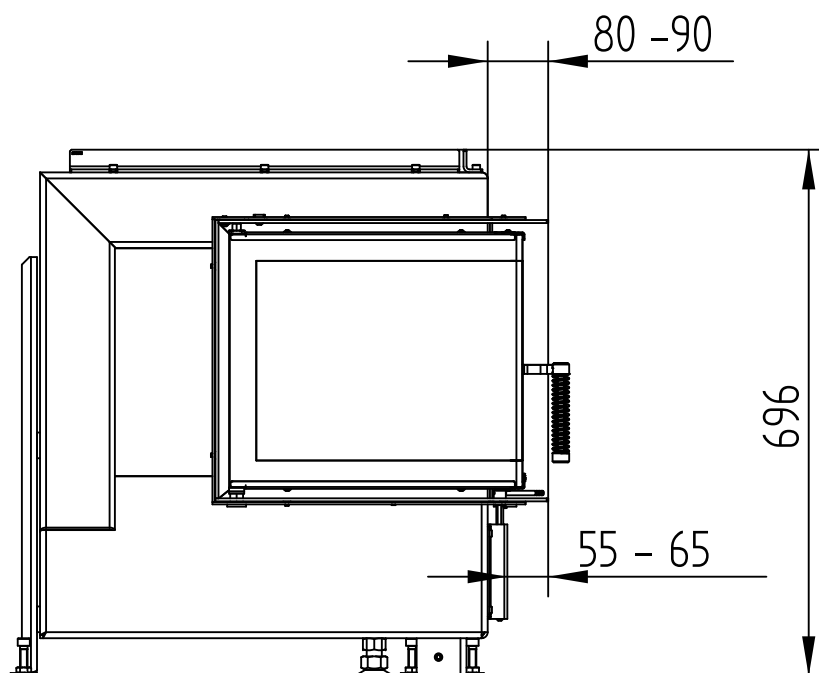
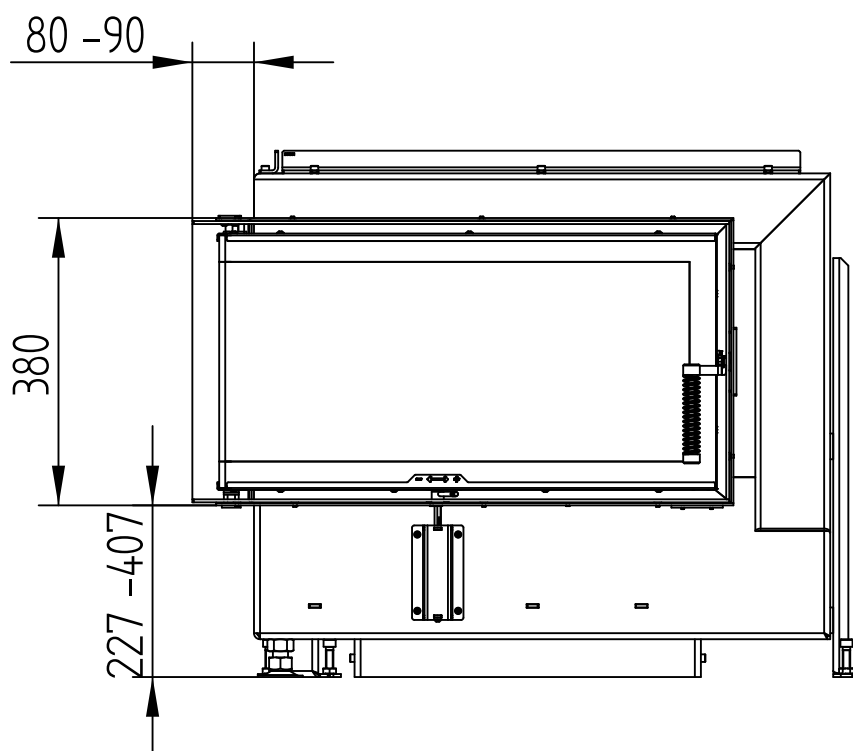


GT 70/40/38L

BUILD-ON FRAME 6-SIDED, 80 mm

Technical data
Version 07/2015

M 1 : 10



GT 70/40/38L

BUILD-ON FRAME 6-SIDED, 80 mm

Technical data
Version 07/2015

M 1 : 10

